

Webster B1 Series Pumps - Cast Iron

Webster B1 Series pumps have high density grey iron construction with heat-treated alloy steel gears and shafts. Standard features include double lip shaft seals, heavy duty needle bearings, and straight keyed or tang shafts. This stocked pump offering all come standard with integral relief valve and outlet check, except for 11B1F17AX-L.

1/2" Straight Keyed Drive Shaft

4-Bolt 1.781" pilot

Built in Relief Valve and Outlet Check

Part No.	Model code	CID / Rotation	GPM @ 1800 rpm	Ports		Rated PSI
				Inlet	Outlet	
163B1005	06B1E1B2-L20	0.06 / LH	0.5	1/2" NPT	3/8" NPT	3500
163B1036	15B1E1B2-L20	0.15 / LH	1.2	1/2" NPT	3/8" NPT	2500
163B1067	22B1E1B2-L20	0.22 / LH	1.7	1/2" NPT	3/8" NPT	2500
163B1080	30B1E1B2-R20	0.3 / RH	2.3	1/2" NPT	3/8" NPT	2000
163B1121	47B1E1B2-R15	0.47 / RH	3.7	1/2" NPT	3/8" NPT	1200
163B1138	59B1E1B2-R12.25	0.59 / RH	4.6	1/2" NPT	3/8" NPT	1000
163B1139	59B1E1B2-L12.25	0.59 / LH	4.6	1/2" NPT	3/8" NPT	1000



Tang Drive Shaft .5" Dia. x .147"

4-Bolt 1.781" pilot, or 2-Bolt SAE AA 2" pilot

Built in Relief Valve and Outlet Check, No valves for 11B1F17AX-1L

Part No.	Model code	CID / Rotation	GPM @ 1800 rpm	Ports		Rated PSI
				Inlet	Outlet	
163B1017	11B1E1A2-L20	0.11 / LH	0.9	1/2" NPT	3/8" NPT	3000
163B2003	11B1F17AX-1L	0.11 / LH	0.9	3/4-16 SAE	3/4-16 SAE	3000
163B1034	15B1E1A2-L05	0.15 / LH	1.2	1/2" NPT	3/8" NPT	2500



Webster B1 Series High Speed Blower Motor - Cast Iron

1/2" Taper Drive Shaft w/ woodruff key and 5/16-24 male threaded end

2-Bolt SAE AA 2" pilot

Hi-Speed needle bearings

Mechanical shaft seal

LH rotation with integral cross port check

Rated to **7550 RPM**

Part No.	Model code	CID / Rotation	GPM @ 7550 rpm	Ports		Rated PSI
				Inlet	Outlet	
AA65865	M13B1F17S7-13L	0.13 / Bi	4.6	3/4-16 SAE	3/4 - 16 SAE	2500



Special Webster B1 Series motor is rated for continuous speeds of 7550 rpm. Currently use in agricultural applications for seed blowers/vacuums and grain transfer. This high power density model has success in cooling and material transfer. This is a stocked item and doesn't reflect the standard attributes or the B1 motor line. Please refer to full catalog for complete offering.

Webster YB Series Pumps - Aluminum Body

Webster YB Series pumps are pressure balanced aluminum two piece construction with heat-treated gears and shafts. Standard features include double lip shaft seals, heavy duty needle bearings, and straight keyed or tang shafts. Compact in size and low in weight, YB motors are often specified when space and weight are limitations. Applications include Turf care, Fan Drive, Lift table,

9/16" Straight Keyed Drive Shaft

2/4-Bolt 1.781" pilot

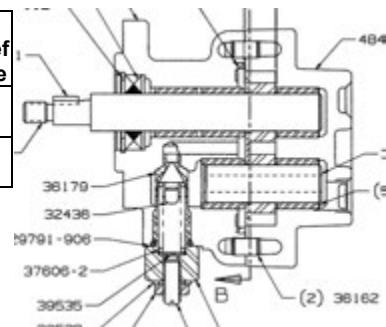
P/N	Model Code	CID / Rotation	GPM @ 1800 RPM	Ports - Side		Rated PSI
				Inlet	Outlet	
163V1028	15YBAD012-RB	0.15 / RH	1.16	3/8"NPT	3/8"NPT	2500
163V1042	22YBAD012-2RB	0.22 / RH	1.71	3/8"NPT	3/8"NPT	2000
163V1051	29YBAD012-RB	0.29 / RH	2.25	3/8" NPT	3/8"NPT	2000
163V1065	29YBAD015-2LB	0.29 / LH	2.25	3/8"NPT	3/8"NPT	2000
163V1068	43YBAD032-RB	0.43 / RH	3.35	1/2"NPT	3/8"NPT	2000
163V1071	43YBAD032-2LB	0.43 / LH	3.35	1/2"NPT	3/8"NPT	2000
163V1072	43YBAD032-2RB	0.43 / RH	3.35	1/2"NPT	3/8"NPT	2000
163V1081	58YBAD032-RB	0.58 / RH	4.51	1/2"NPT	3/8"NPT	2000
163V1098	73YBAD032-RB	0.73 / RH	5.68	1/2"NPT	3/8"NPT	2000



9/16" Straight Keyed Drive Shaft Stepped .374" and Threaded 5/16-24

4-Bolt 1.781" pilot

P/N	Model Code	CID / Rotation	GPM @ 1800 RPM	Ports - Rear		Rated PSI	Relief Valve
				Inlet	Outlet		
163V1046	22YBAE304-2RB09	0.22 / RH	1.71	3/8" NPT	9/16-18 SAE	2000	Yes
163V1047	22YBAE004-30RB	0.22 / RH	1.71	3/8" NPT	9/16-18 SAE	2000	No



Webster YB Series Motors - Aluminum Body

9/16" 8 Tooth Spline Drive Shaft

2-Bolt SAE AA 2" pilot with quick disconnect
Exception 163V1017 includes case drain

P/N	Model Code	CID / Rotation	GPM input @ 5000rpm	Ports - Side Inlet Outlet		Rated PSI
163V1108	M43YBAB002521-24LA	0.43 / LH	10.25	7/8-14 SAE	3/4-16 SAE	2000
163V1110	M43YBAB002531-24RA	0.43 / RH	10.25	7/8-14 SAE	3/4-16 SAE	2000
163V1113	M43YBAB001121-29LC	0.43 / LH	10.25	3/4-16 SAE	9/16-18 SAE	2000
163V1017	M73YBAB141221-38BC	0.73 / Bi	17.4	3/4-16 SAE	3/4-16 SAE	2000



2/4-Bolt 1.781" pilot - Bi-rotational check valve included

P/N	Model Code	CID / Rotation	GPM input @ 5000rpm	Ports - Side Inlet Outlet		Rated PSI
163V1009	M58YBAD123238-36BC	0.58 / Bi	13.85	7/8-14 SAE	7/8-14 SAE	2000

Webster YB Series motors are pressure balanced aluminum two piece construction with heat-treated gears and shafts. Standard features include double lip high pressure shaft seals, heavy duty needle bearings, and straight keyed or tang shafts. Compact in size and low in weight, YB motors are often specified when space and weight are limitations. Applications include Turf care, Fan Drive, Lift table, and small off-highway machinery.



9/16" 8 tooth spline shaft not shown

Webster YB Series Impeller Motor - Aluminum Body

9/16" X 2.94" extended Drive Shaft w/ 9/16-18 male threaded end

2-Bolt SAE AA 2" pilot

P/N	Model Code	CID / Rotation	GPM input @ 5000rpm	Ports - Side Inlet Outlet		Rated PSI
163V1111	M43YBAA002537-17LA	0.43 / LH	10.25	7/8-14 SAE	3/4-16 SAE	2000

Special Webster YB Series motor is rate for continuous speeds of 5000 rpm. Currently used in pump drive applications. it has an extended shaft to accept a direct coupling to impellor, a retaining female thread to ensure excellent retention, and a 3rd row of bearings for extra stability.



Webster YC Series Pumps - Aluminum Body

Webster YC Series pumps feature a 2 piece high-strength aluminum construction with heat-treated alloy steel gears and shafts. Standard features include double lip shaft seals, heavy duty sleeve bearings, and straight shafts. This pump is ideally suited where a lightweight, compact, and efficient pump is needed.

3/4" Straight Keyed Drive Shaft

2 Bolt SAE A Pilot

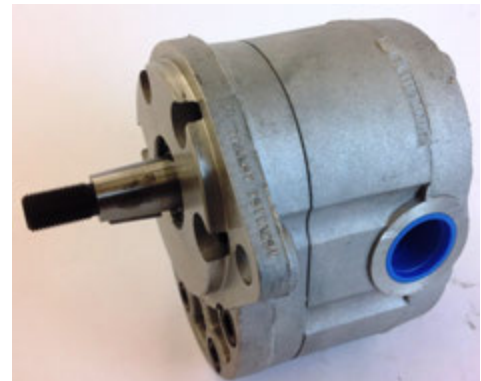
P/N	Description	CID / Rotation	GPM @ 1800 RPM	Ports - Side		Rated PSI
				Inlet	Outlet	
163Y1053	077YC011-RF	0.77 / RH	6	3/4" NPT	1/2" NPT	2500
163Y1096	116YC001701-RF	1.16 / RH	9.03	1 1/16"-12 SAE	7/8"-14 SAE	2500
163Y1080	116YC011-RF	1.16 / RH	9.03	3/4" NPT	1/2" NPT	2500
163Y1104	155YC021-LF	1.55 / LH	12.07	1" NPT	1/2" NPT	2500
163Y1102	155YC021-RF	1.55 / RH	12.07	1" NPT	1/2" NPT	2500
163Y1141	194YC002101-LF	1.94 / LH	15.1	1 3/16"-12 SAE	7/8"-14 SAE	2000
163Y1146	194YC021-LF	1.94 / LH	15.1	1" NPT	1/2" NPT	2000



Taper Threaded End - .75" dia., 1.94" ext., 3.0 taper/ft., square keyslot, 5/16-24 x 1.12" tapped hole

2 Bolt SAE A Pilot

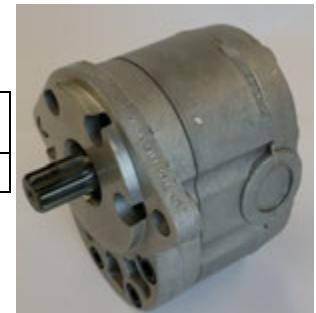
P/N	Description	CID / Rotation	GPM @ 1800 RPM	Ports - Side		Rated PSI
				Inlet	Outlet	
163Y1304	077YC001768-29RF	0.77 / RH	6	1 1/16"-12 SAE	7/8"-14 SAE	2500



3/4" 11 Tooth Spline Drive Shaft

2 Bolt SAE A Pilot

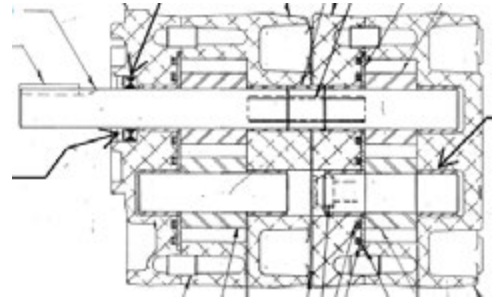
P/N	Description	CID / Rotation	GPM @ 1800 RPM	Ports - End		Rated PSI
				Inlet	Outlet	
163Y1165	194YC004178-LF	1.94 / LH	15.1	1 5/16"-12 SAE	1 1/16"-12 SAE	2000



3/4" Straight Keyed Drive Shaft Tandem Pump

2 Bolt SAE A Pilot

P/N	Description	CID / Rotation	GPM @ 1800 RPM	Ports - Side		Rated PSI
				Inlet	Outlet	
163Y1051	194YC002101/15	1.94/RH	15.1	1 3/16 - 12	7/8 - 14 SAE	2000
	5YC002100-RM			SAE		
	Second pump	1.55 / RH	12.07	1 3/16 - 12	7/8 - 14 SAE	2500



Webster YC Series Motors - Aluminum Body

Webster YC Series Motors feature a 2 piece high-strength aluminum construction with heat-treated alloy steel gears and shafts. Standard features include double lip high pressure shaft seals, heavy duty sleeve bearings, and straight shafts. This pump is ideally suited where a lightweight, compact, and efficient motor is needed.

3/4" Straight Keyed Drive Shaft

2 Bolt SAE A Pilot

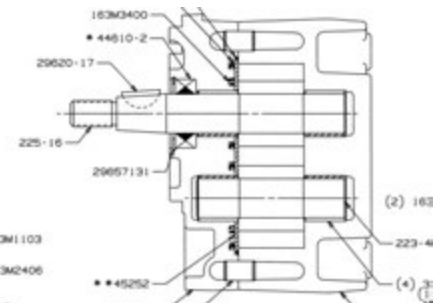
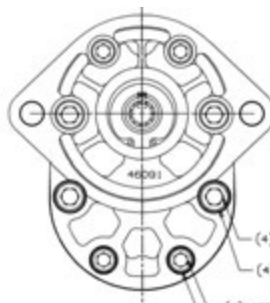
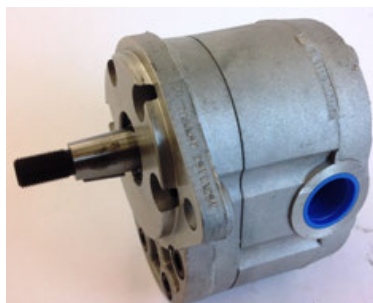
P/N	Description	CID / Rotation	GPM Input @ 1800 rpm	Ports		Rated PSI
				Inlet	Outlet	
163Y1212	M058YC00230	0.58 / RH	12.6	1 1/16"-12	7/8"-14	2500
	1-5RF			SAE rear	SAE rear	
163Y1066	M077YC00170	0.77 / RH	16.7	1 1/16"-12	7/8"-14	2500
	1-22RF			SAE side	SAE side	
163Y1158	M194YC00210	1.94 / RH	42	1 3/16"-12	7/8"-14	2000
	1-5RF			SAE side	SAE side	



Taper Threaded End .75" dia., 1.25" ext., 1.5" taper/ft., square keyslot, 1/2-20 x .88" ext. thread

2 Bolt SAE A Pilot

P/N	Description	CID / Rotation	GPM @ 1800 RPM	Ports - Side		Rated PSI
				Inlet	Outlet	
163Y1161	M194YC003557-5RF	1.94 / RH	42	1 1/16"-12 SAE	1 1/16"-12 SAE	2000



Webster YC Series Motors - Cast Body - High Pressure

This special Webster YC Series Motors features a 3 piece cast body construction with heat-treated alloy steel gears and shafts. Standard features include double lip shaft seals, heavy duty sleeve bearings, and straight shafts. This pump is ideally suited where a lightweight, compact, and efficient pump is needed.

3/4" Straight Keyed Drive Shaft

2 Bolt SAE A Pilot

Run around check valve

640 In Lbs. Torque!

P/N	Description	CID / Rotation	GPM / Max RPM	Ports - Side		Rated PSI
				Inlet	Outlet	
163Y1235	M116YCP1935 16-42BAC	1.16 / Bi	22/4000	1 1/16"-12 SAE	1 1/16"-12 SAE	3500



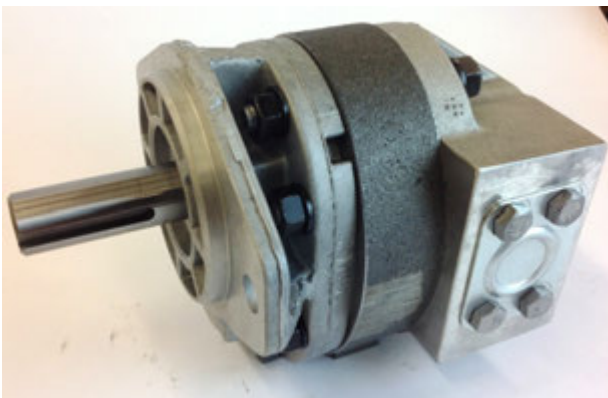
CP Series Pumps - Single pumps

Heavy duty CP pumps feature a 3 piece construction with aluminum pilot/ port block to keep them cost effective and cast body for high pressure. Heat-treated alloy steel gears and shafts. Pressure Balance for high efficiency and long life. CPB frames from 2.01 to 5.84 cu.in/rev. Capable of 3600psi continuous, 4500psi peak. Speeds up to 3000rpm, CPA frames from 3.95 to 9.89 cu.in/rev. Capable of 3000psi continuous, 4000psi peak. Speeds up to 3000rpm

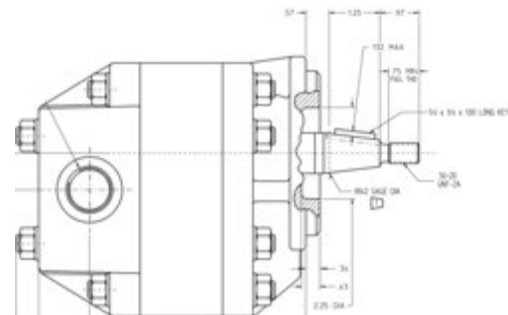
Shafts shown below

Pilots shown below

P/N	Description	CID	Side Ports		Rot.	Max PSI	GPM 1800 RPM	SAE Mount	Shaft
			Inlet	Outlet					
CPB-1076	CPB 023 L 2 AR AW	2.24	1.50" Flange	1.25" Flange	LH	3600	17	2 Bolt "B"	7/8" Dia. 13 tooth spline
41299	CPB 030 R 4 ## AL W/EXTD SHAFT	2.92	1 5/8-12 SAE	1 5/16-12 SAE	RH	3600	22	2 Bolt "B"	1" keyed
CPB-1341	CPB 030 R 4 ZZ AR	2.92	1 5/8-12 SAE	1 5/16-12 SAE	RH	3600	22	2 Bolt "B"	1" keyed
CPC-1038	CPC 030 L 2 AA BC	2.92	1 5/8-12 SAE Rear	1 5/16-12 SAE Rear	LH	3600	22	2 Bolt "B"	7/8" Dia. 13 tooth spline
CPC-1040	CPC 030 R 2 AA BC	2.92	1 5/8-12 SAE Rear	1 5/16-12 SAE Rear	RH	3600	22	2 Bolt "B"	7/8" Dia. 13 tooth spline
CPB-1168	CPB 040 L 2 AC AW	3.88	1.50" Flange	1.25" Flange	LH	3600	30	2 Bolt "B"	7/8" Dia. 13 tooth spline
40204	CPB 045 SPCL MODL PUMP	4.37	1 5/16-12 SAE	1 1/16-12 SAE	LH	3600	34	2 Bolt "B"	Tapered Threaded
40629	CPB 045 R 2 ES **	4.37	1.50" Flange	1.25" Flange	RH	3600	34	2 Bolt "B"	7/8" Dia. 13 tooth spline
CPB-1027	CPB 045 L 2 AD AL	4.37	1 5/8-12 SAE	1 5/16-12 SAE	LH	3600	34	2 Bolt "B"	7/8" Dia. 13 tooth spline
CPC-1041	CPC 045 R 2 AD BC	4.37	1 5/8-12 SAE Rear	1 5/16-12 SAE Rear	RH	3600	34	2 Bolt "B"	7/8" Dia. 13 tooth spline
CPB-1033	CPB 050 R 2 AE AL	4.85	1 5/8-12 SAE	1 5/16-12 SAE	RH	3300	34	2 Bolt "B"	7/8" Dia. 13 tooth spline
CPC-1047	CPC 050 R 2 AE BC	4.85	1 5/8-12 SAE Rear	1 5/16-12 SAE Rear	RH	3000	37	2 Bolt "B"	7/8" Dia. 13 tooth spline
CPB-1411	CPB 055 R 2 BI AL	5.36	1 5/8-12 SAE	1 5/16-12 SAE	RH	3000	41	2 Bolt "B"	1" keyed
CPB-1310	CPB 060 L 2 AZ AW	5.84	1.50" Flange	1.25" Flange	LH	3600	45	2 Bolt "B"	7/8" Dia. 13 tooth spline
CPA-1110	CPA 060 R 5 AC BN	5.93	2" Flange	1.50" Flange	RH	3000	46	4 Bolt "C"	1.224" Dia. 14 tooth spline
CPA-1203	CPA 090 L 1 AN AU	8.99	1.50" Flange	1.25" Flange	LH	2750	70	4 Bolt "C"	1.248" Dia. Keyed



40204 Special Taper Shaft



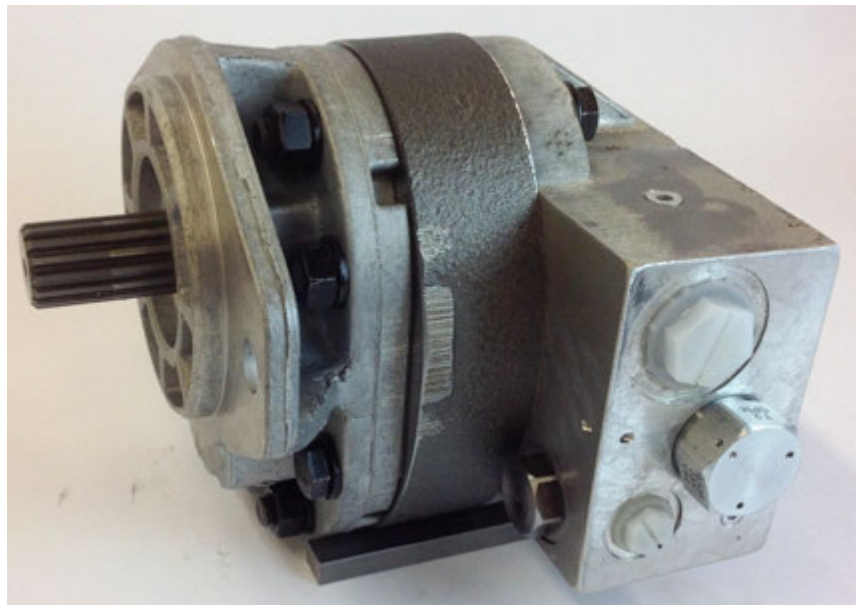
CP Series Pumps - Single pumps with Priority Flow Control

Heavy duty CP pumps feature a 3 piece construction with aluminum pilot/ port block to keep them cost effective and cast body for high pressure. Heat-treated alloy steel gears and shafts. Pressure Balance for high efficiency and long life. CPB frames from 2.01 to 5.84 cu.in/rev. Capable of 3600psi continuous, 4500psi peak. Speeds up to 3000rpm. Includes Priority Flow Control and Relief Valve.

Shafts shown below

2 Bolt SAE B Pilot

P/N	Description	CID	Ports-Side		Rot.	Max PSI	GPM @ 1800 RPM	Shaft
			Inlet	Outlet				
11012966	CPJ 032 L 2 ## CG 040 150	3.14	1 5/8-12 SAE (Rear)	1 1/16-12 SAE Sec. & 3/4-16 SAE Pri. (Rear)	LH	3600	24 w/ 4 GPM priority	.8567" Dia. 13 Tooth Spline
11012994	CPJ 026 L D SPCL CD 040 150	2.54	1 5/8-12 SAE	1 1/16-12 SAE Sec. & 3/4-16 Pri.	LH	3600	19 w/ 4 GPM priority	7/8" Dia. 13 tooth spline
41079	CPJ 030 L 2 ## CB 060 140	2.92	1 5/8-12 SAE	1 1/16-12 SAE Sec. & 9/16-18 SAE Pri.	LH	3600	22 w/ 6 GPM Priority	.8567" Dia. 13 Tooth Spline
41263	CPJ 030 L 2 AA ## 060 140	2.92	1 5/8-12 SAE	1 1/16-12 SAE Sec. (top) & 3/4-16 Pri.	LH	3600	23 w/ 6 GPM Priority	7/8" Dia. 13 tooth spline
CPJ-1007	CPJ 026 L 2 AV CB 040 140	2.54	1 5/8-12 SAE	1 1/16-12 SAE Sec. & 9/16-18 SAE Pri.	LH	3600	19 w/ 4 GPM priority	7/8" Dia. 13 tooth spline
CPJ-1007V	CPJ 026 L 2 AV CB 040 140	2.54	1 5/8-12 SAE	1 1/16-12 SAE Sec. & 9/16-18 SAE Pri.	LH	3600	20 w/ 4 GPM priority	7/8" Dia. 13 tooth spline
CPJ-1020	CPJ 030 R 2 SPE- CIAL	2.92	1 5/8-12 SAE	1 1/16-12 SAE Sec. & 3/4-16 Pri.	RH	3600	22 w/ 7.2 GPM Priority	1" 15 tooth spline
CPJ-1031	CPJ 030 R 2 AA CC 072 160	2.92	1 5/8-12 SAE (Rear)	1 1/16-12 SAE Sec. & 9/16-18 SAE Pri.	RH	3600	23 w/ 7.2 GPM Priority	7/8" Dia. 13 tooth spline



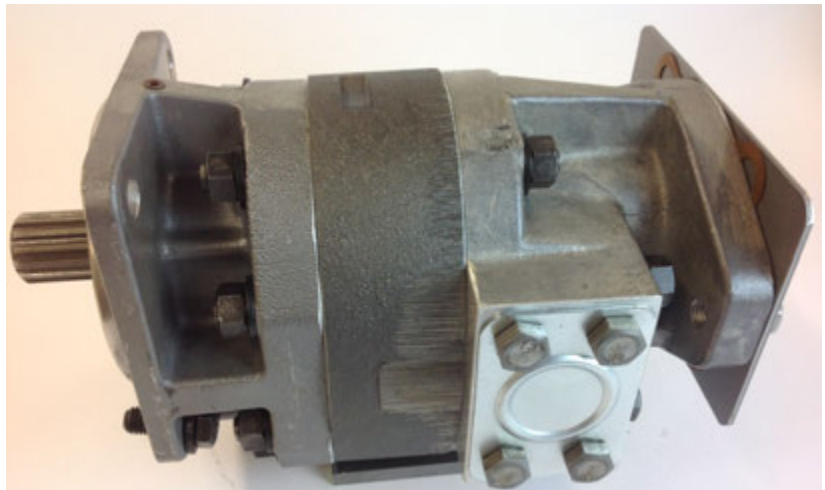
CP Series Pumps - Single pumps with Thru Drive

Heavy duty CP pumps feature a 3 piece construction with aluminum pilot/ port block to keep them cost effective and cast body for high pressure. Heat-treated alloy steel gears and shafts. Pressure Balance for high efficiency and long life. CPB frames from 2.01 to 5.84 cu.in/rev. Capable of 3600psi continuous, 4500psi peak. Speeds up to 3000rpm, CPA frames from 3.95 to 9.89 cu.in/rev. Capable of 3000psi continuous, 4000psi peak. Speeds up to 3000rpm

Shaft shown below

Pilot and thru drive shown below

P/N	Description	CID	Ports-Side		Rot.	Max PSI	GPM @ 1800 RPM	Mount	Shaft
			Inlet	Outlet					
CPB-2003	CPB 020 R 2 AU AN	2.01	1 5/8-12 SAE	1 5/16-12 SAE	RH	3600	15	SAE 2 Bolt "B" w/Aux. "A" pad-9 tooth spline shaft	7/8" Dia. 13 tooth spline
CPB-1092	CPB 023 R 2 AR AT	2.24	1.25" Flange	1" Flange	RH	3600	17	SAE 2 Bolt "B" w/Aux. "A" pad-9 tooth spline shaft	7/8" Dia. 13 tooth spline
CPB-1295	CPB 023 R 2 AR AQ	2.24	1 5/8-12 SAE	1 5/16-12 SAE	RH	3600	17	SAE 2 Bolt "B" w/Aux. "B" pad-13 tooth spline shaft	7/8" Dia. 13 tooth spline
CPB-1158	CPB 040 R 2 AC BN	3.88	1 5/8-12 SAE	1 5/16-12 SAE	RH	3600	30	SAE 2 Bolt "B" w/Aux "A" pad-11 tooth spline shaft	7/8" Dia. 13 tooth spline
CPB-1162	CPB 040 L 2 AC AM	3.88	1 5/8-12 SAE	1 5/16-12 SAE	LH	3600	30	SAE 2 Bolt "B" w/Aux. "A" pad-9 tooth spline shaft	7/8" Dia. 13 tooth spline
CPB-1169	CPB 040 L 2 AH AS	3.88	1.25" Flange	1" Flange	LH	3600	30	SAE 2 Bolt "B" w/Aux. "A" pad-9 tooth spline shaft	1" 15 tooth spline
CPB-1109	CPB 045 R 2 AD AN	4.37	1 5/8-12 SAE	1 5/16-12 SAE	RH	3600	34	SAE 2 Bolt "B" w/Aux. "A" pad-9 tooth spline shaft	7/8" Dia. 13 tooth spline
CPB-1198	CPB 050 L 2 AE AZ	4.85	1.50" Flange	1.25" Flange	LH	3300	27	SAE 2 Bolt "B" w/Aux. "B" pad-13 tooth spline shaft	7/8" Dia. 13 tooth spline
41095	CPA 060 R 1 AK BU (NO CPLG)	5.93	2" Flange	1.50" Flange	RH	3000	46	SAE 4 Bolt "C" w/ Aux. "B" pad-13 tooth spline shaft	1.248" Dia. Keyed
CPA-1176	CPA 060 R 1 AC BA	5.93	1.50" Flange	1.25" Flange	RH	3000	46	SAE 4 Bolt "C" w/ Aux. "B" pad-13 tooth spline shaft	1.224" Dia. 14 tooth spline
CPA-2004	CPA 070 R 2 AD BU	6.92	1.50" Flange	1.25" Flange	RH	3000	53	SAE 4 Bolt "C" w/ Aux. "B" pad-13 tooth spline shaft	1.224" Dia. 14 tooth spline
41097	CPA 080 R 1 AM BU (NO CPLG)	7.91	2" Flange	1.50" Flange	RH	3000	61	SAE 4 Bolt "C" w/ Aux. "B" pad-13 tooth spline shaft	1.248" Dia. Keyed



CP Series Pumps - Double Pumps

Heavy duty CP pumps feature a 3 piece construction with aluminum pilot/ port block to keep them cost effective and cast body for high pressure. Heat-treated alloy steel gears and shafts. Pressure Balance for high efficiency and long life. CPB frames from 2.01 to 5.84 cu.in/rev. Capable of 3600psi continuous, 4500psi peak. Speeds up to 3000rpm, CPA frames from 3.95 to 9.89 cu.in/rev. Capable of 3000psi continuous, 4000psi peak. Speeds up to 3000rpm

Shaft shown below

Pilot shown below

P/N	Description	CID	Ports - Side		Rot.	Max PSI	GPM @ 1800 RPM	Mount	Shaft
			Inlet	Outlet					
40504	CPB 032+, J DEERE, 310C	3.14/.86	1.25" Flange	1 5/16-12 SAE & 3/4-16 SAE	LH	3600	24/6	SAE 2 Bolt "B"	7/8" Dia. 13 tooth spline
40505	CPB 023+, J DEERE, 210C	2.24/.86	1.25" Flange	1 1/16-12 SAE & 3/4-16 SAE	LH	3600	17/6	SAE 2 Bolt "B"	7/8" Dia. 13 tooth spline
41504	CPE 060 035 L 2 BE 2 ZY 6 CP	5.84/3.4	2" Flange	(2) 1 5/16-12 SAE	LH	2700	45/26	SAE 2 Bolt "B"	1" 15 tooth spline
CPE-1047	CPE 040 040 L 2 AH 3 AA 1 AE	3.88/3.88	2" Flange	(2) 1" Flange	LH	3600	30/30	SAE 2 Bolt "B"	1" 15 tooth spline
CPH-1014	CPH 040 040 L 1 AA 1 AA 1 AA	3.95/3.95	2.5" Flange	(2) 1.25" Flange	LH	3000	30/30	SAE 4 Bolt "C"	1.224" Dia. 14 tooth spline
CPH-1094	CPH 070 040 L 1 AD 1 AK 3 AD	6.92/3.95	2.5" Flange	(2) 1.50" Flange	LH	3000	53/30	SAE 4 Bolt "C"	1.224" Dia. 14 tooth spline



Double Pump with Priority Flow Control

P/N	Description	CID	Ports-Side		Rot.	Max PSI	GPM @ 1800 RPM	Mount	Shaft
			Inlet	Outlet					
11012964	CPB 040 L 2 ## ZU+22.4 W/2 LINE PFD	3.88/1.36	1 5/8-12 SAE	1 5/16-12 & 9/16-18 SAE	LH	3600	30/10 w/ 4 GPM priority	SAE 2 Bolt "B"	.8567" Dia. 13 Tooth Spline