

Hydraulic power brake valve

Model MB13-MS

RA 66205

Edition: 06.2013



- ▶ Component series 1X
- ▶ Service brake pressure 22, 30, 39, and 47 bar braking

Features

- ▶ Compact design
- ▶ Integrated maximum pressure limitation of the brake circuits
- ▶ Brake pressure proportional to actuation force
- ▶ Low hysteresis
- ▶ Brake line pressure synchronization
- ▶ Line mounted
- ▶ Rugged construction
- ▶ Optional treadle-style foot pedal

Contents

Ordering code	2
Technical data	3
Function	4
General notes	5
Intended use	5
Characteristic curves	6
Dimensions	7

2 **MB13-MS** | Single-circuit power brake valve
Ordering code

Ordering code

01	02	03	04	05	06	07	08	09	10	11				
MB	13	-	M	S		-	1X	/		19A	-	M	/	

01 to 04	This information is used only for internal purposes and is always identical.	MB13-MS
----------	--	----------------

Spool area gain

05	Standard gain notches	Ø 0.031 inch feedback orifice	1
	Intermediate gain notches	Ø 0.062 inch feedback orifice	2
	Intermediate gain notches	Ø 0.031 inch feedback orifice	3
	High gain notches	Ø 0.031 inch feedback orifice	4

Component series

06	10 and 11 (unchanged installation and connection dimensions)	1X
----	--	-----------

Service brake pressures

07	22 bar	325/425 PSI	22.4/30.6 bar	Linear	22
	30 bar	440/587 PSI	30/40 bar	Linear	30
	39 bar	560/740 PSI	38.6/51 bar	Linear	39
	47 bar	680/890 PSI	47/61.5 bar	Linear	47

Pressure tolerance

08	<i>Pressure tolerance at full actuator stroke (standard linear springs only – does not apply to DSM option, reference options below)</i>		
	Standard tolerance (-0/+34% minimum pressure)		-
	Reduced tolerance with shim adjustment (-0/+15% minimum pressure)		L

Line connections

09	SAE straight thread O-ring ports			19A
	Supply pressure port	P	SAE-06	
	Tank port	T	SAE-08	
	Brake service ports	B	SAE-06	
	Auxiliary pressure port	ACS	SAE-04	
	Brake pressure test port	(plugged)	SAE-03	

Seal material

10	NBR seals, suitable for mineral oil (HL, HLP) according to DIN 51524	M
----	--	----------

Options

11	<i>Option codes – further details in clear text</i>	
	With optional treadle-style foot pedal (R978728913) – mounted	FP
	Dual-slope metering characteristics (with nested stage inner spring)	DSM

Service seal kit

Material description	Ordering No.
Kit-Seal, Brake Valve	R978726722

Note: Seal kit contains shaft seal, dust cover, and O-ring.
O-ring use is only required in the MB13-MD dual circuit brake between housing bodies.

Technical data

General				
Weight	Without pedal		lb (kg)	5.0 (2.3)
	With standard pedal		lb (kg)	6.25 (2.8)
Installation positions	Variable mount possible			
Type of connection	SAE straight thread ports per J1926-1 or ISO 11926-1			
Ambient temperature range		θ	°F (°C)	-13 to +176 (-25 to 80)
Hydraulic				
Maximum service brake pressure at port	B, BLS	p	PSI (bar)	1100 (76)
Maximum inlet pressure at port	P, ACS	p	PSI (bar)	4500 (310)
Maximum tank pressure at port	T	p	PSI (bar)	10 (0.7) Maximum continuous back pressure. No oscillation permitted.
Hydraulic fluid	Mineral oil (HL, HLP) according to DIN 51524, other hydraulic fluids, such as HEES (synthetic esters) according to VDMA 24568 as well as hydraulic fluids as specified in the data sheet 90221, on inquiry.			
Hydraulic fluid temperature range		θ	°F (°C)	-13 to +176 (-20 to 80)
Viscosity range		ν	SSU (mm ² /s)	40 to 1800 (2.8 to 380)
Maximum permitted degree of contamination of the hydraulic fluid, cleanliness class according to ISO 4406 (c)	Class 17/14 or better			

Note

For applications outside these parameters, please consult us!

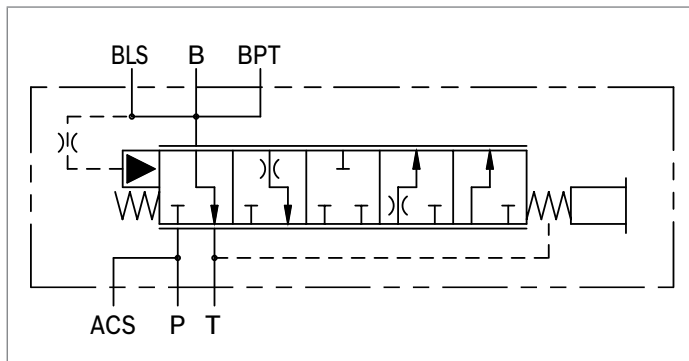
Function

The single circuit hydraulic power brake valve is a directly operated 3-way pressure reducing valve with smooth mechanical operation. The valve regulates pressure in brake line circuit proportional to force applied to actuator.

Single circuit power brake valve components include: housing (1) regulating spool (2), regulating spring (3), actuator (4), and the return spring (5).

The operator depresses the actuator (4). The regulating spring (3) strokes the regulating spool (2), closing off the T port and opening the brake circuit port B to accumulator pressure through supply pressure port P. Pressure from brake circuit port B is communicated to return spring chamber (5), where feedback force is developed, opposing the operator's input force. When the sum of feedback force and return spring (5) pre-load is equal to the operator input force transmitted through regulating spring (3), the regulating spool moves to a blocked center condition where the P, T, and B ports are closed simultaneously. When operator (4) input force is removed, the regulating elements move to the standby position, blocking the pressure port P and venting the service port B to tank.

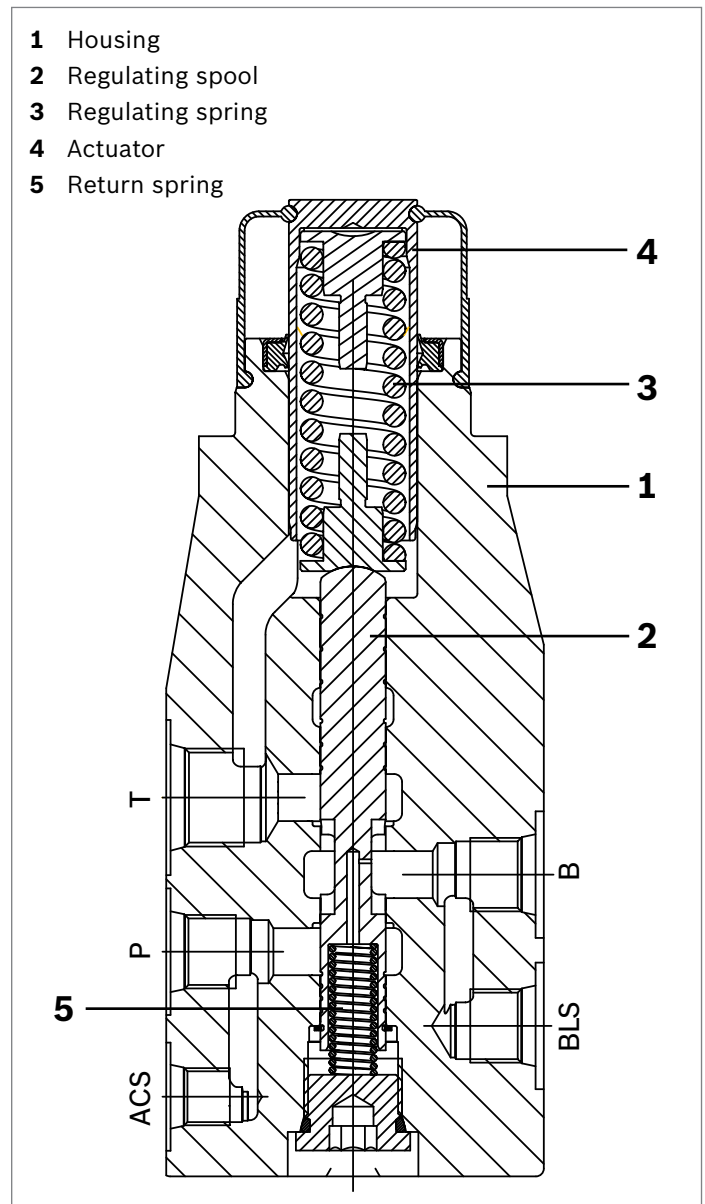
▼ Symbol



Ports	
ACS	Accumulator charge switch port
P	Supply pressure port
T	Tank port
BLS	Brake light switch port
B	Brake system work port
BPT	Brake pressure test port

If pressure falls in brake system line B or operator pushes harder on actuator (4), the supply pressure P is re-connected to brake system port B until force is balanced again. If brake system port B is too high, fluid is bled to tank through the T port until balance is again established. When force to actuator is removed, the regulating spool (2) moves to standby position, blocking the supply pressure port P and venting the brake system work port B to tank T.

▼ Cross-section



General notes

Installation notes

- ▶ Rubber parts must not be painted.
- ▶ Operating elements must not be directly exposed to high-pressure jet cleaning.
- ▶ The tank must be mounted above the brake valve MB13-MS to avoid drainage of the brake valve.
- ▶ When assembling below the base plate it must be taken care that the movement of the pedal cannot be affected by dirt.

Intended use

The MB13-MS is exclusively intended to be assembled together with other components to form partly completed or complete machinery. The component may only be commissioned if it has been integrated in the machine for which it is designed.

Notes for the repair

- ▶ Damaged valves must be repaired, even if their function is not impaired.

Installation position

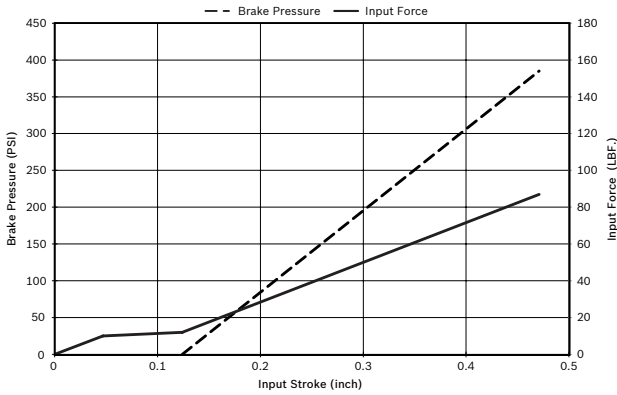
- ▶ Variable mount possible.

You may use the product as follows:

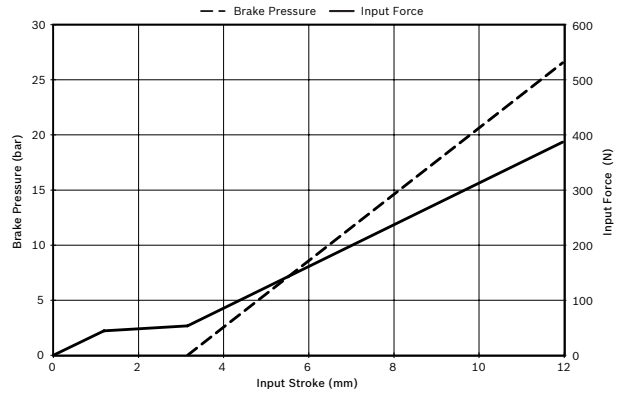
- ▶ The brake valves MB13-MS have been developed for the application in mobile working machinery.
- ▶ Comply with the technical data.
- ▶ The product is only intended for professional use and not for private use.

Characteristic curves

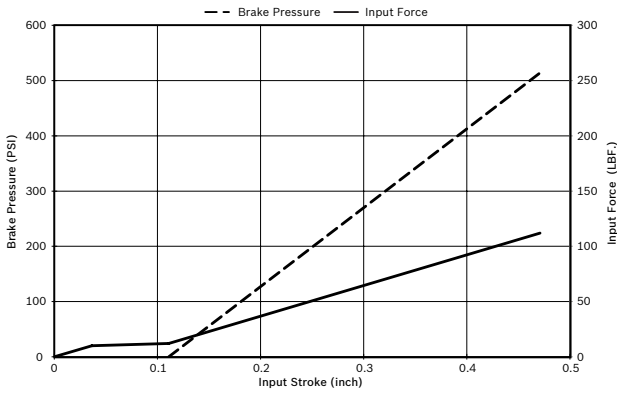
▼ **Nominal metering performance, 22, English**



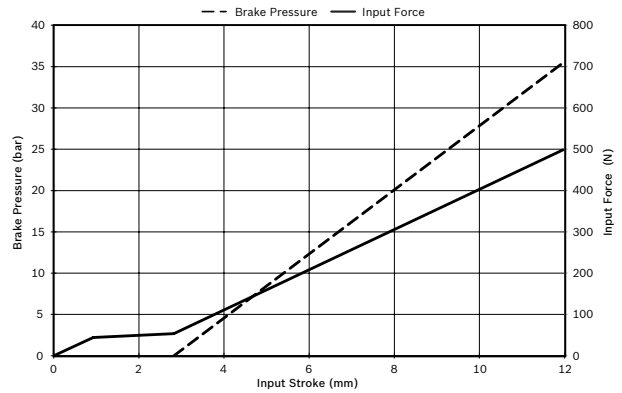
▼ **Nominal metering performance, 22, Metric**



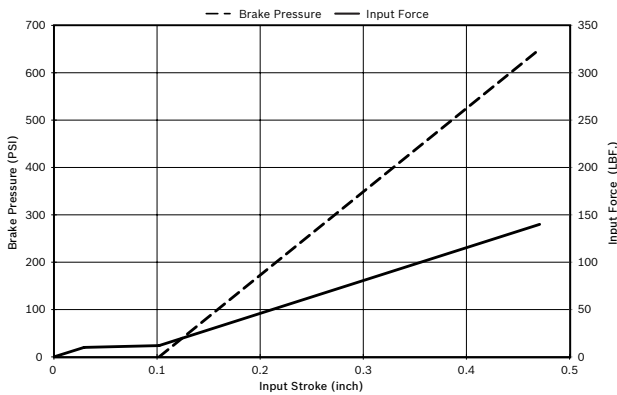
▼ **Nominal metering performance, 30, English**



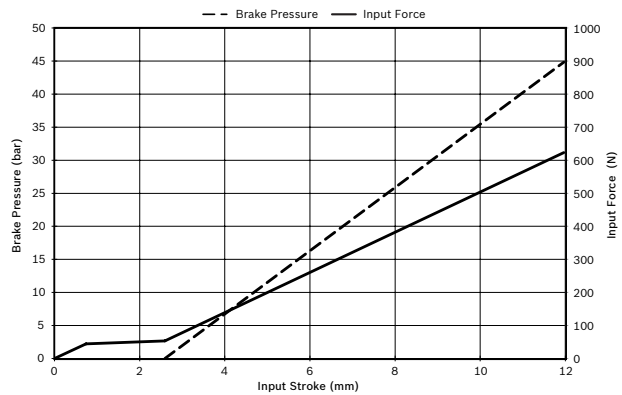
▼ **Nominal metering performance, 30, Metric**



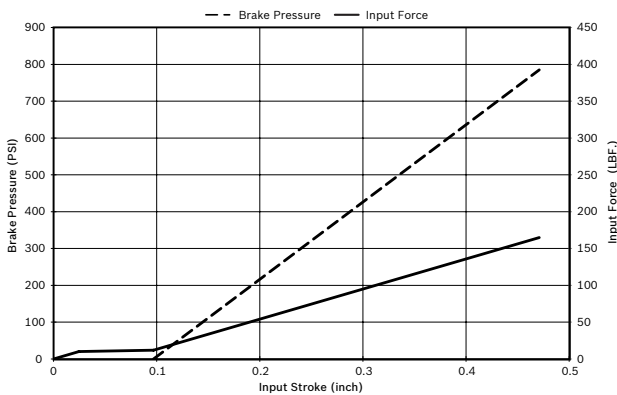
▼ **Nominal metering performance, 39, English**



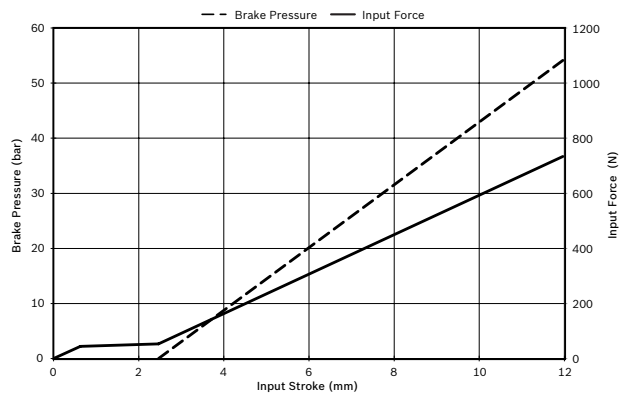
▼ **Nominal metering performance, 39, Metric**



▼ **Nominal metering performance, 47, English**

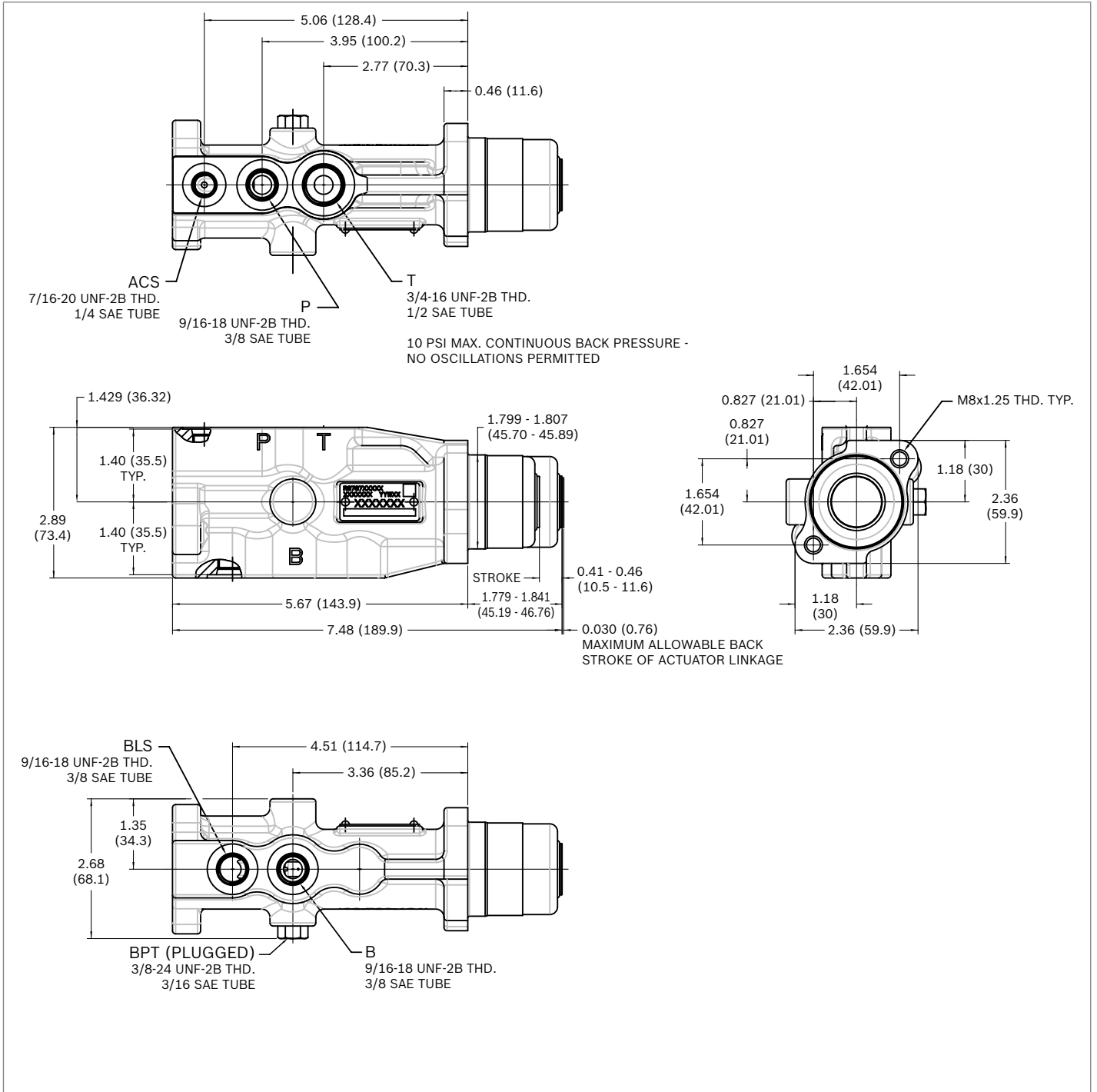


▼ **Nominal metering performance, 47, Metric**



Dimensions

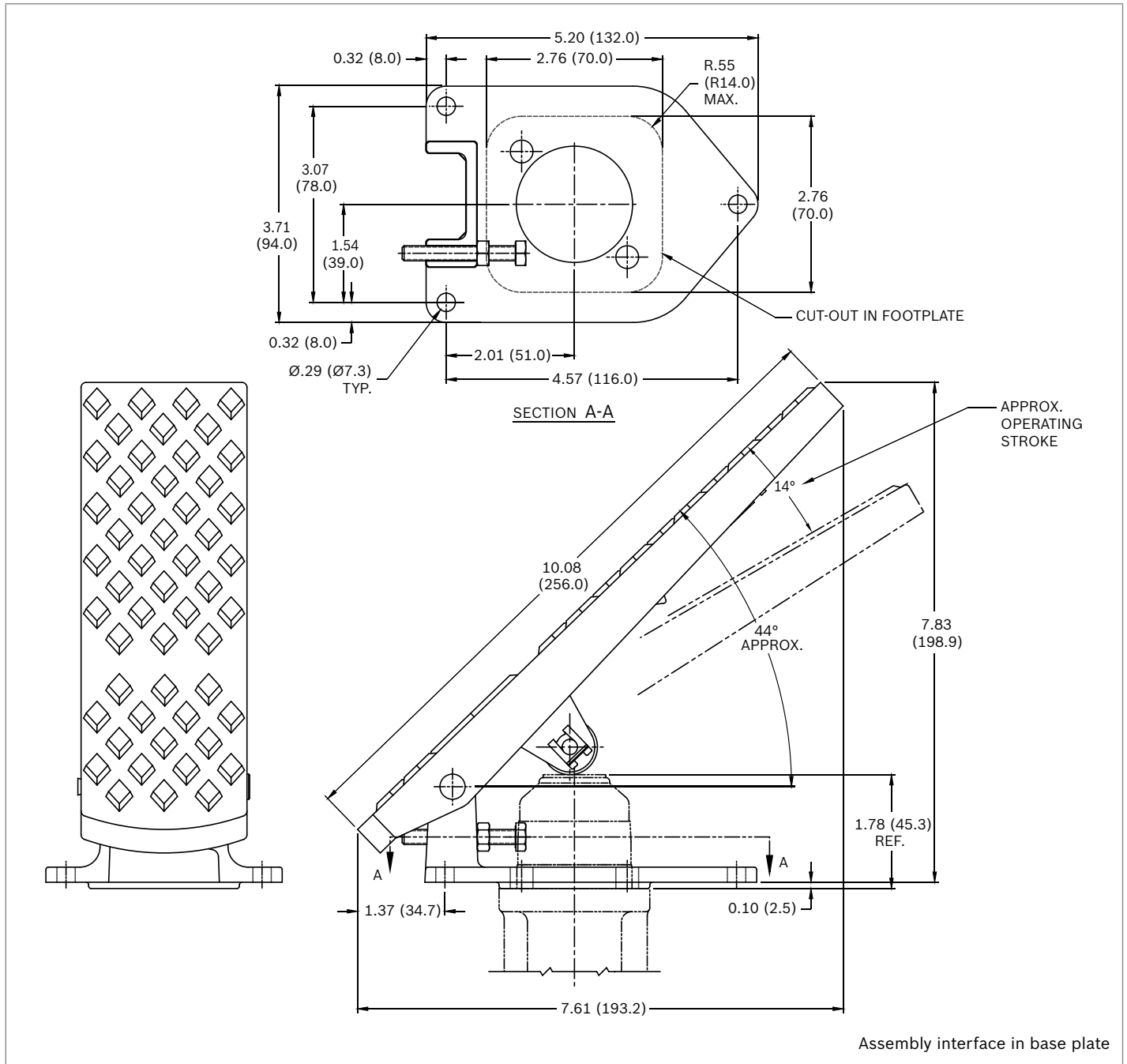
▼ Without pedal



Ports according to ISO 11926-1

Port	Dimensions	
BPT (plugged)	3/8 - 24 UNF	SAE-03
ACS	7/16 - 20 UNF	SAE-04
B, P, BLS	9/16 - 18 UNF	SAE-06
T	3/4 - 16 UNF	SAE-08

▼ With treadle-style foot pedal for option code "FP"



QCC LLC
7301 W. Wilson Avenue,
Harwood Heights, IL 60706
708-887-5400
www.qccorp.com
www.qcc.parts

© 2021 QCC LLC
All rights reserved. Neither this document, nor any part of it, may be reproduced, duplicated, circulated or disseminated, whether by copy, electronic format or any other means, without the prior consent and authorization of QCC LLC.
The data and illustrations in this brochure/data sheet are intended only to describe or depict the products. No representation or warranty, either express or implied, relating to merchantability or fitness for intended use, is given or intended by virtue of the information contained in this brochure/data sheet. The information contained in this brochure/data sheet in no way relieves the user of its obligation to insure the proper use of the products for a specific use or application. All products contained in this brochure/data sheet are subject to normal wear and tear from usage.
Subject to change.