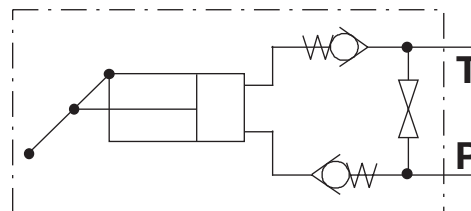
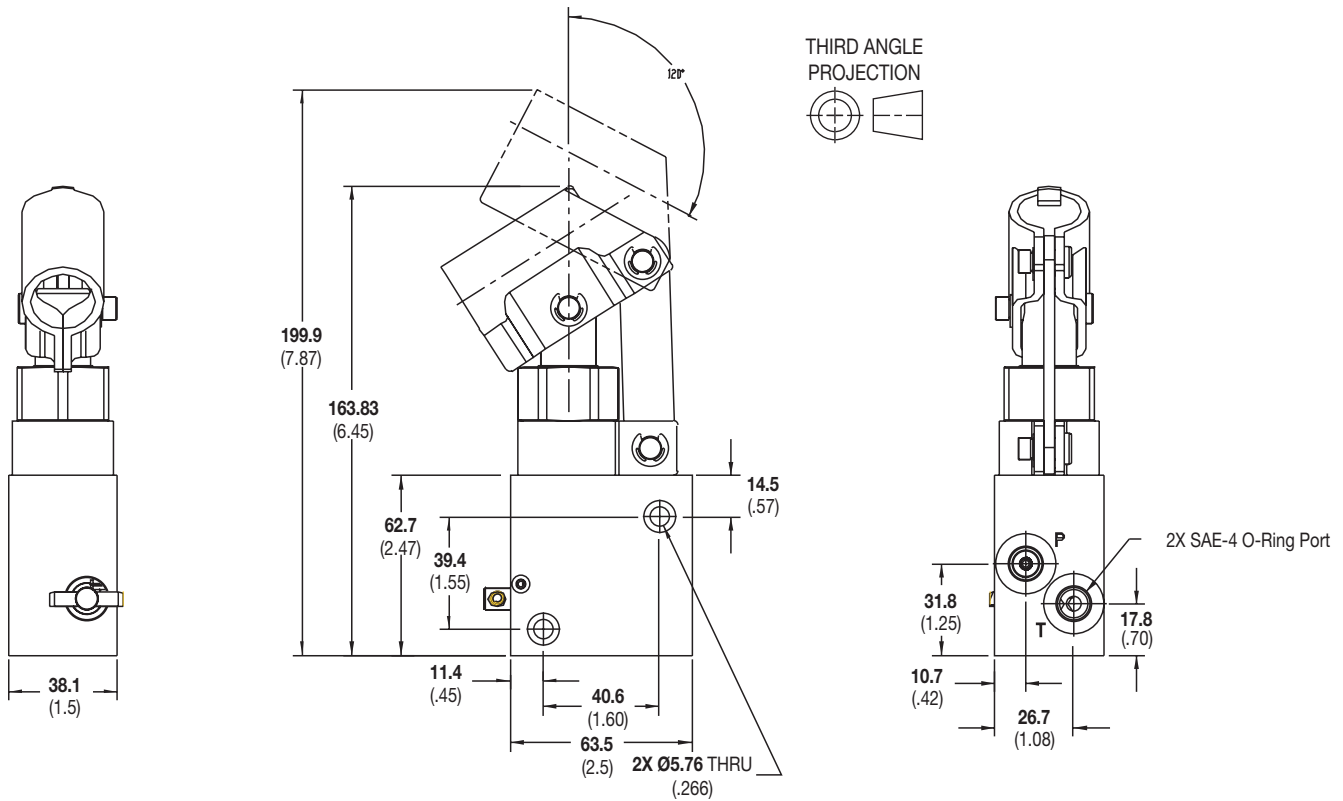


# **750 Series Hand Pumps for Single and Double Acting Cylinder Applications**

*Pressure to 172 bar (2500 psi)*



# Hand Pump Dimensions



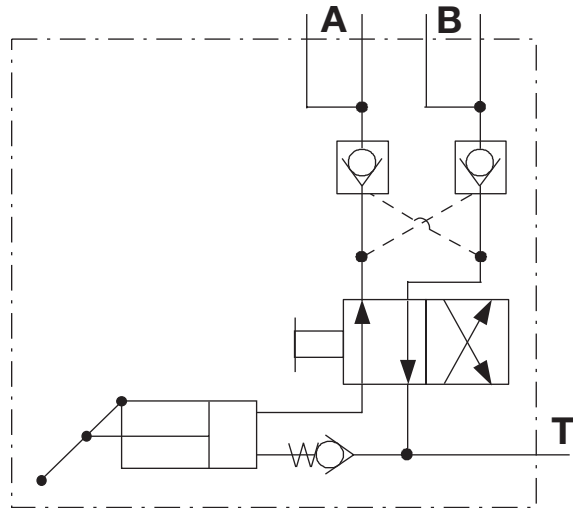
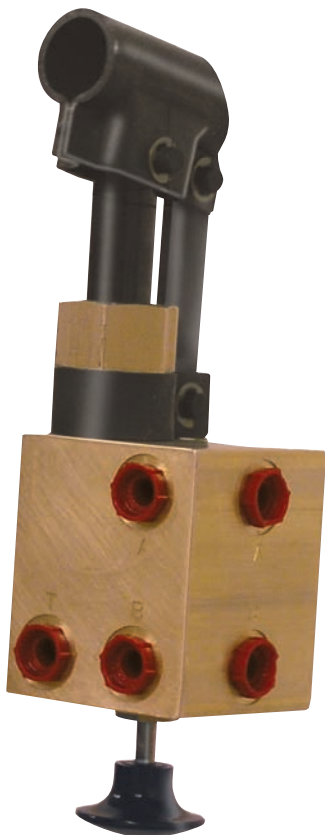
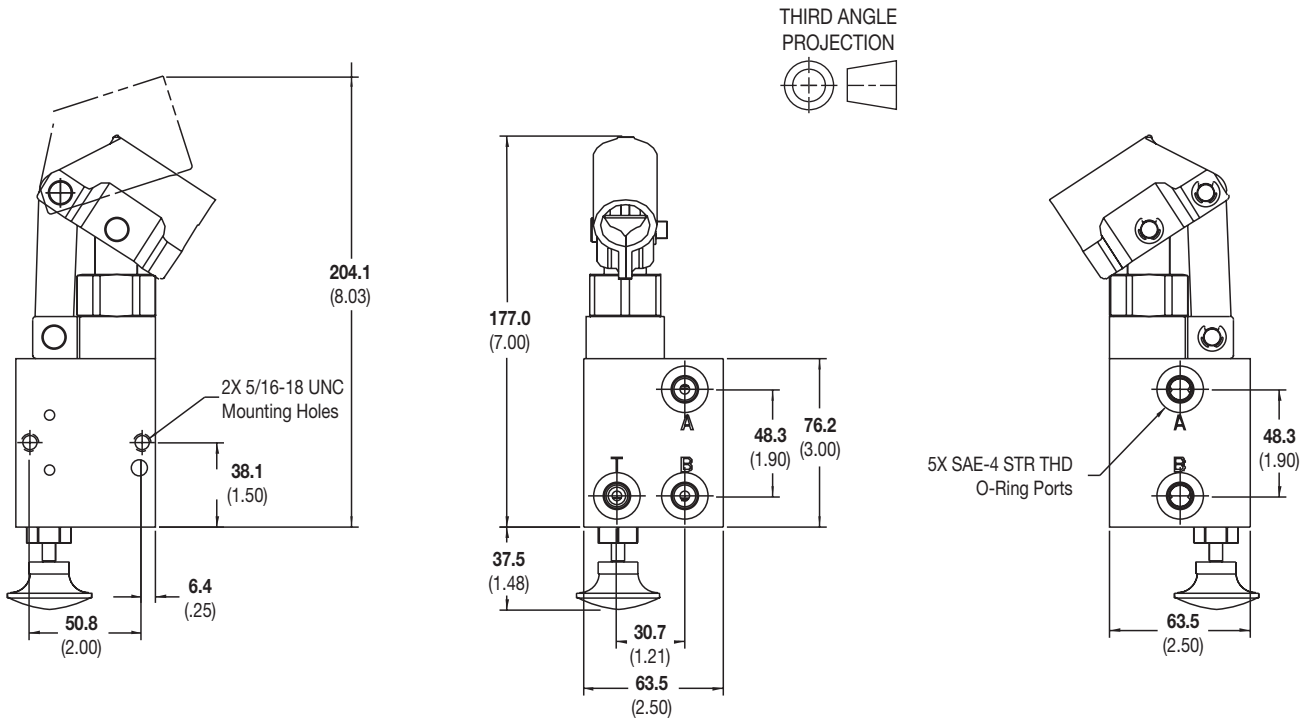
## Circuit

### Model 750-1 Hand Pump

- 8.2 cc/Stroke (.5 in<sup>3</sup>/Stroke)
- Suitable for use in Single Acting Cylinder circuits
- Metering release valve for controlled return of fluid

**Note:** Specifications subject to change without notice.

# Hand Pump Dimensions



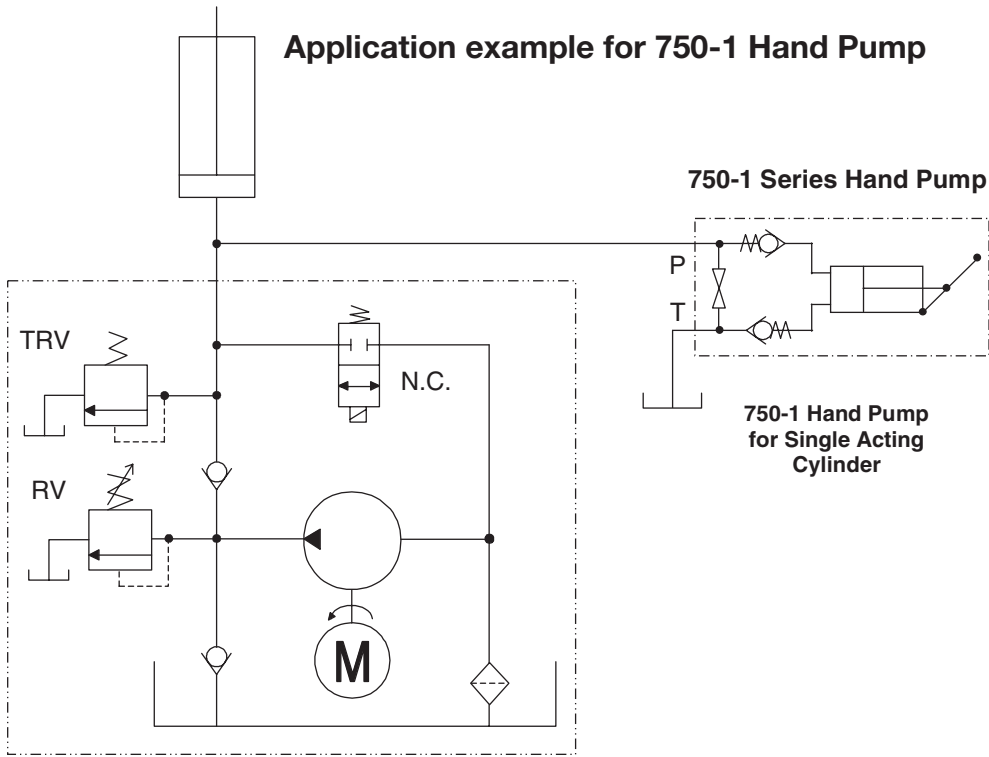
## Circuit

### Model 750-2 Hand Pump

- 8.2 cc/Stroke (.5 in<sup>3</sup>/Stroke)
- Suitable for use in Double Acting Cylinder circuits
- Integral double pilot operated check valves (with soft face seal poppets) hold the load and isolate the hand pump when not in use

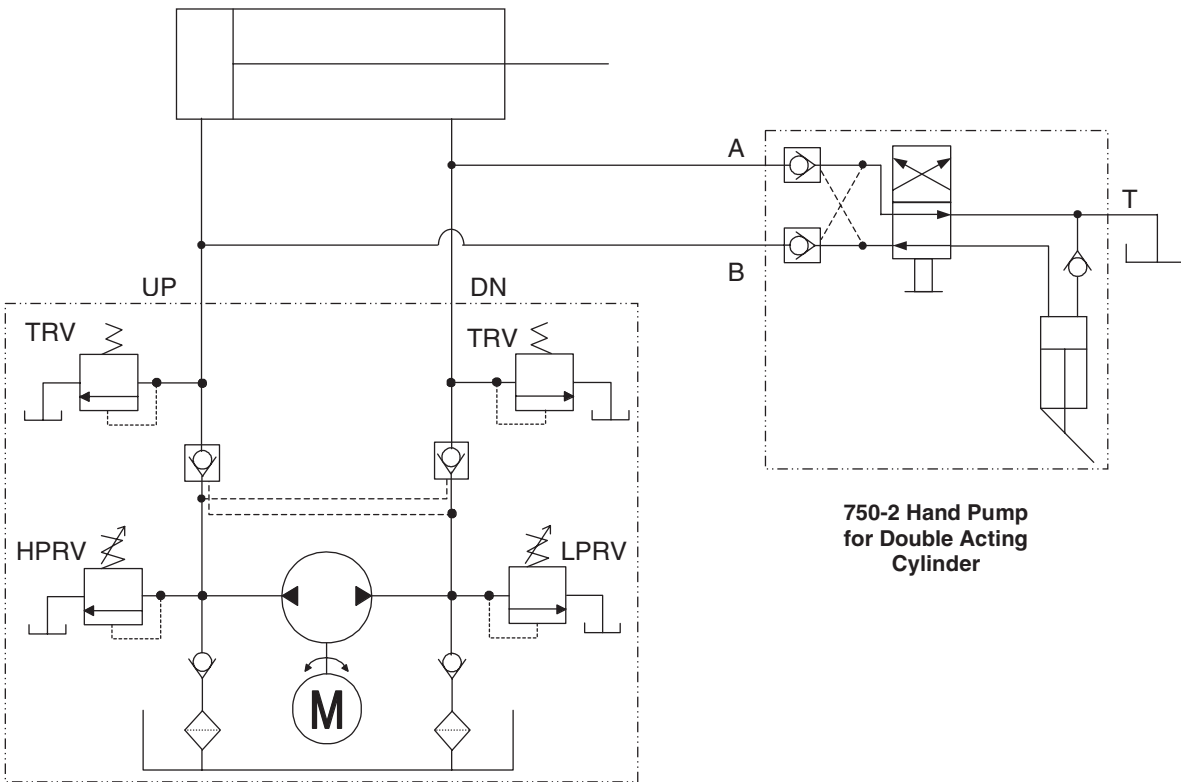
**Note:** Specifications subject to change without notice.

**Application example for 750-1 Hand Pump**



**108/165 Series Single Direction with 2-way valve**

**Application example for 750-2 Hand Pump**



**750-2 Hand pump used with a reversible locking power unit**